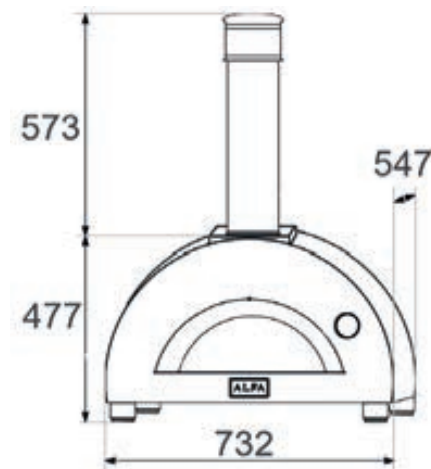


ALFA



Alfa Forni Nano Pizza Oven

3cm thick firebrick oven floor

Reinforced stainless steel cooking chamber insulated with ceramic fibre

Wood-fired

Average fuel consumption 2.5kg/h

Includes a pyrometer for accurate temperature measurement

Gas-fired

Heats up in 10 minutes and uses similar energy to two gas rings

NG and LPG versions available